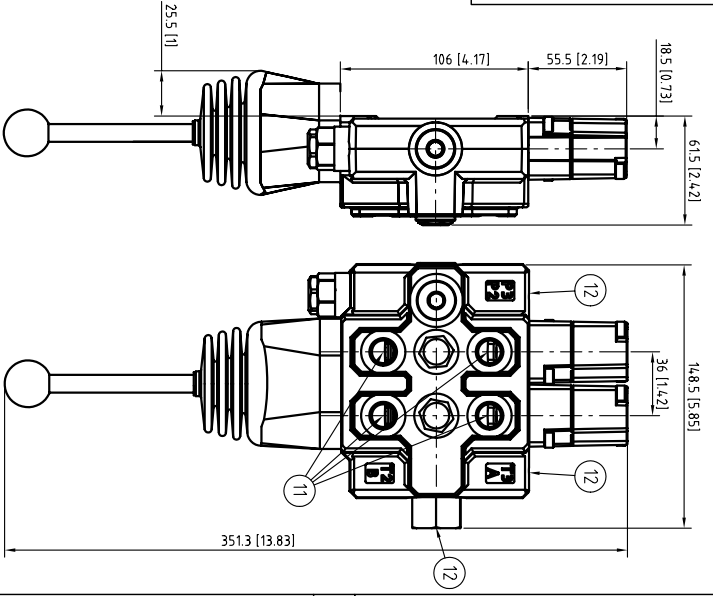
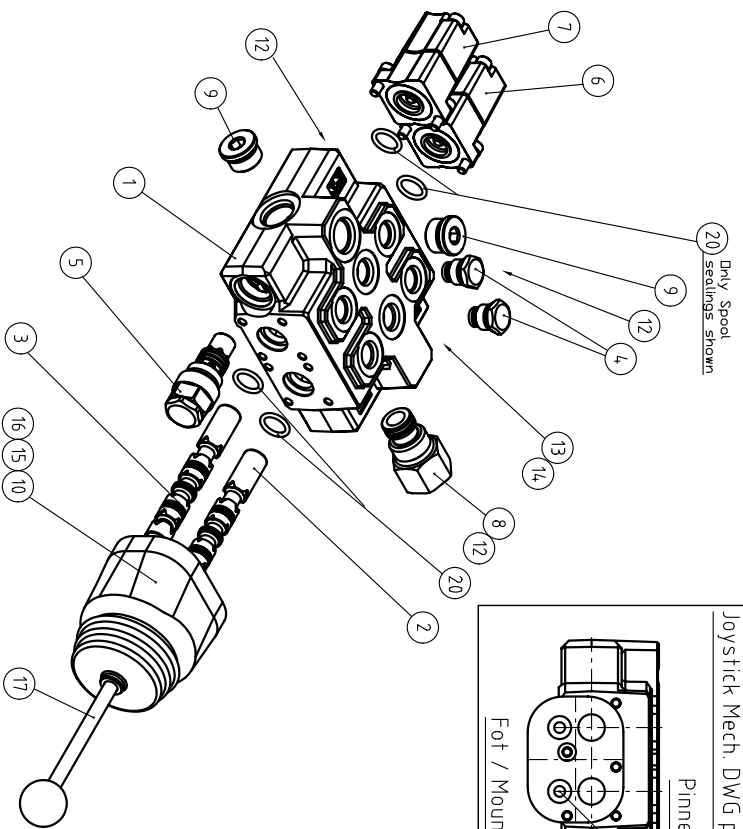
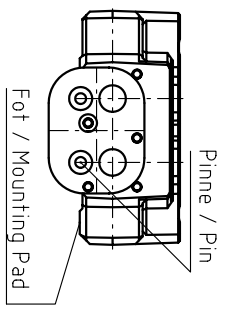
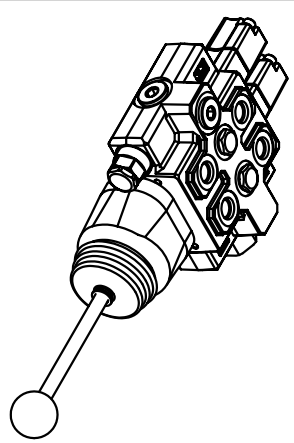


Joint Foundation Pin position in Joystick Mech. DWG position 10

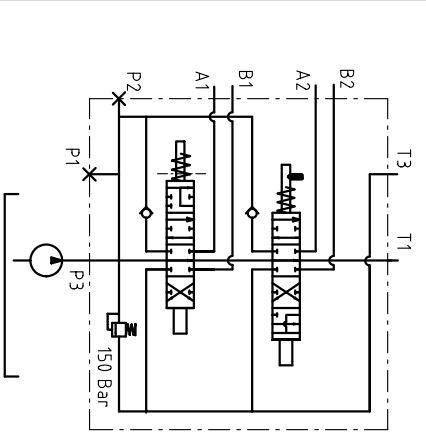


American view setting

Isometric view as assembled.



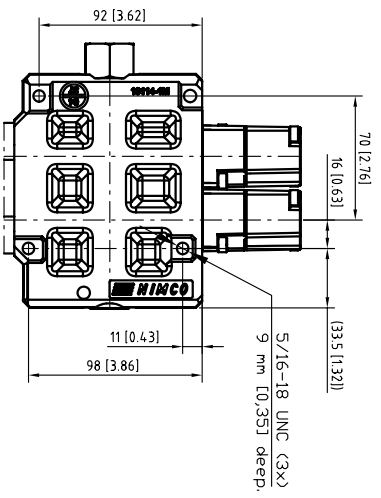
Hydraulic Schematic



Parts List

Pos	NIMCO Part. Nr.	Buhler Part. Nr.	Description	No.
1.	10917-1B		Valve housing - machined, no T2 port	1
2.	10308-3B		Spool DA+Float with marking 3S	1
3.	10359-3B		Spool DA+Regen with marking 8R/1	1
4.	10261-4S		Load Holding check valve - assembly	2
5.	4S-5501-150		Main relief valve - assembly	1
6.	11471-3S		Spool control 11 - assembly	1
7.	11472-3S		Spool control 18 - assembly	1
8.	10536-4S		HPCO Connector SAE	1
9.	612008-M		Plug SAE 8 - cpl. with sealing, P1, P2	2
10.	11701-3S		Joystick Left H. Mech. with conical pins	1
11.	650096-G		Plastic Plug SAE 6 for A, B.	4
12.	630071-G		Plastic Plug SAE 8 for P3, T3 and T1	3
13.	10344-4K		Sign, Product Code Stamp	1
14.	67024051		Rivets for Sign	2
15.	10300-3K		Rubber Boot	1
16.	10162		Rubber Boot Guide	1
17.	11709-4S		Handle with Pin	1

Mounting pads, Bottom view



Spare Parts List

Pos	Part. Nr.	Part. Nr.	Description	No.
20	11708-2S/1		Sealing Kit, positions se Drawing 11703-3S	1

Technical Data

Max. pressure	bar	psi
Mrv	320	4641
Tank line	10	145
Flow rates	lpm	USGpm
Max flow A/B	50	13
Spool leakage at 100 bar (1450psi) and 46 mm <sup>2</sup> /s(cSt) viscosity A and B port	2 cm <sup>3</sup> /min	0.12 inch <sup>3</sup> /min

Modell	Revisionen	Material	Datum	Sign
	Specifications Tolerances ISO 2768-1,-2 Burs removed	Stahl, evdenn.	06/031	

**NIMCO**  
NIMCO CONTROLS AB

This Assembly - Buhler  
2 - Sectional - Open Center  
CV 112

Drawing: 11708-2S

Date: 1 : 2

This document must not be copied without our written permission and the contents thereof must not be imparted to a third party nor be used for an unauthorized purpose. Conveyance will be prosecuted.