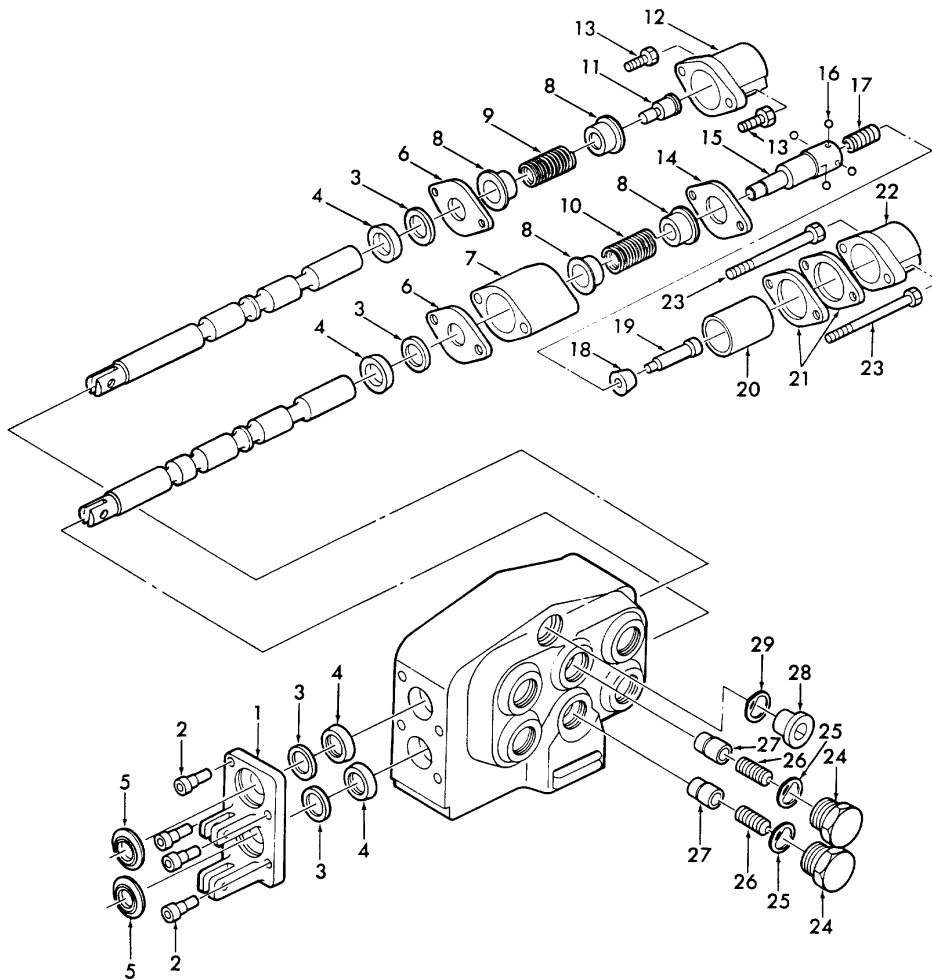


19sw1814 - Ford
Loader 1500 & 1700
Tractor (01/79 -
12/84)

00 - Complete
Machine

022 - Control Valve
1310, 1510, 1710,
1910 Tractors,
Tractor Mounted
Remote Valve



Variants

-

Model Information

-

Serial Number ranges

-

Production Dates

-

#	Part #	Part Name	Description	Qty
null	SBA340011720	HYDRAULIC VALVE	Valve Assy., Control, Includes: Ref AR 1 thru 29	
1	SBA340293212	BRACKET	-	1
2	86512134	SCREW, HEX SOC	Screw, Cap, HS, CL 10.9, M6 x 1 x 16	4
3	SBA340293195	WASHER	Ring, Back-up	4
4	SBA340293194	SEAL	Seal	4
5	SBA340293213	SEAL	Dust	2
6	SBA340293196	PLATE	-	2
7	SBA340293204	SPACER	-	1
8	SBA340293197	SEAT/SLOT	Seat, Spring	4
9	SBA340293198	SPRING	-	1
10	SBA340293206	SPRING	-	1
11	SBA340293199	BOLT	-	1
12	SBA340293200	CAP COVER	Cap	1



#	Part #	Part Name	Description	Qty
13	86512134	SCREW, HEX SOC	Screw, Cap, HS, CL 10.9, M6 x 1 x 16	2
14	SBA340293233	PLATE	-	1
15	SBA340293203	BOLT	-	1
16	SBA340293208	BALL	-	4
17	SBA340293202	SPRING	-	1
18	SBA340293207	BEARING CONE	Cone	1
19	SBA340293205	BOLT	-	1
20	SBA340293209	BUSHING	-	1
21	SBA340293210	PLATE	-	2
22	SBA340293219	CAP COVER	Cap	1
23	SBA010700665	BOLT	Socket Hd., M6 x 1.00 x 65 mm	2
24	SBA340293216	PLUG	-	2
25	279706	O-RING	-	2
26	SBA340293215	SPRING	-	2
27	SBA340293214	HYDRAULIC VALVE	Valve	2
28	SBA340293218	PLUG	-	1
29	SBA052110140	O-RING	-	1

