



**John Deere - Parts Catalog**  
Printer Friendly Page

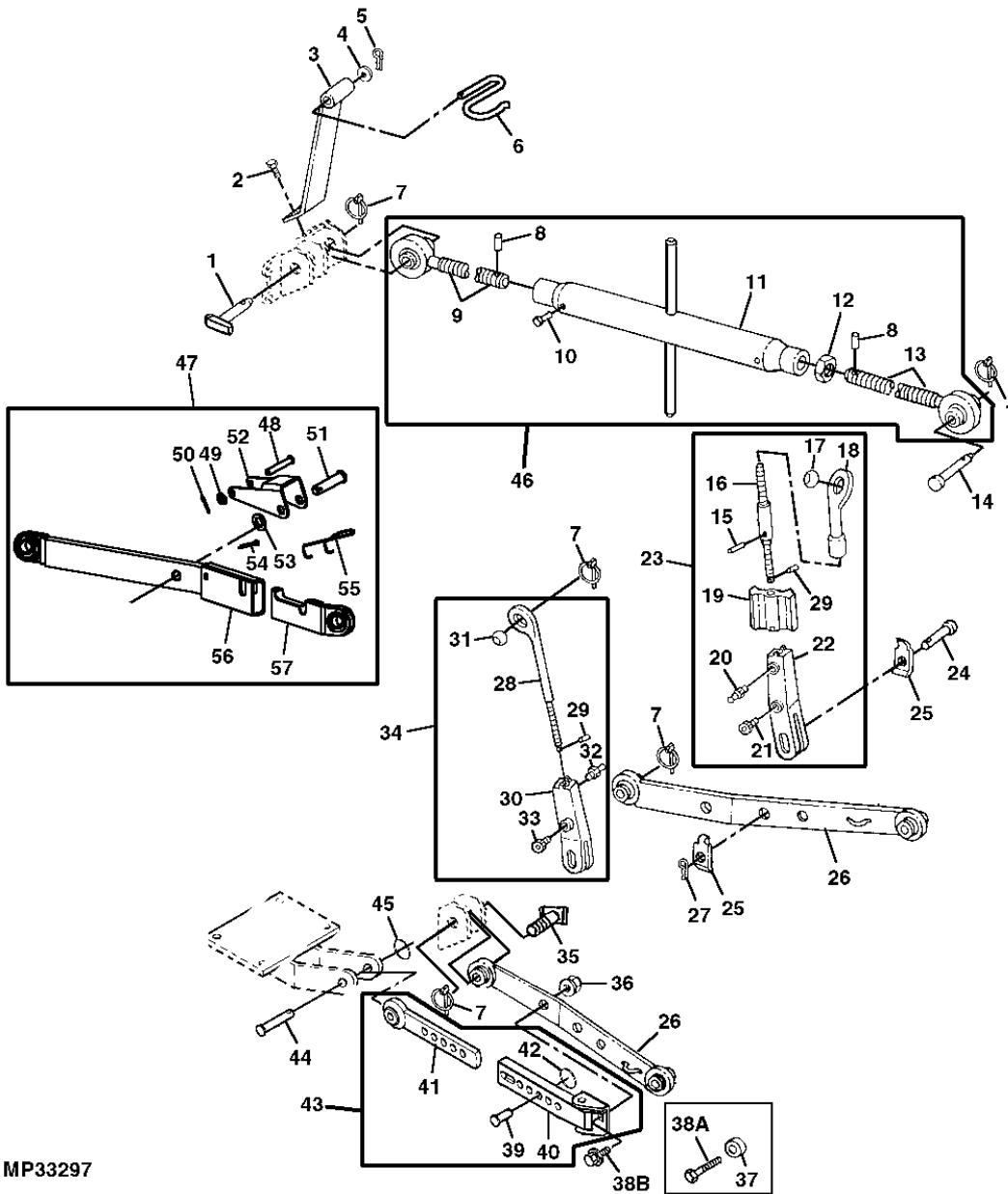
[Close Window](#)

Catalog: 2920 | Grid: 2A21 | Section: 75 | Page: 2

Catalog Name: 4410 Compact Utility Tractor

Page Name: THREE POINT HITCH (SN -H141318, -P145399)

Direction of Travel: 



MP33297

KEY	PART NO.	PART NAME	QTY	SERIAL NO.	REMARKS
1	M123745	PIN FASTENER	1		
2	19M7865	BOLT	2		M8 X 16
3	LVA10179	SUPPORT	1		(A) (NLA) (SUB LVU15494)
4	24M7055	WASHER	1		8.400 X 16 X 1.600 MM
5	11M7080	COTTER PIN	1		2.500 X 16 MM

6	CH19220	SPRING	1		
7	AR62149	QUICK LOCK PIN	6		
8	34M7127	SPRING PIN	2		4 X 24 MM, (SUB FOR 34M3851)
9	AM119697	CENTER LINK	1		(A) LH THREAD (NLA) (SUB LVA14227)
10	CE17590	PLUG	2		
<b>KEY</b>	<b>PART NO.</b>	<b>PART NAME</b>	<b>QTY</b>	<b>SERIAL NO.</b>	<b>REMARKS</b>
11	AM119699	TURNBUCKLE	1		(A) (NLA) (SUB LVA14227)
12	14M7278	NUT	1		M24
13	AM119698	CENTER LINK	1		(A) RH THREAD (NLA) (SUB LVA14227)
14	CH11409	PIN FASTENER	1		
15	34M7141	SPRING PIN	1		5 X 30 MM, (SUB FOR CE17307)
16	CE18325	LIFT LINK	1		(A) (NLA) (SUB LVA14231)
17	T21901	BALL	1		
18	M120789	LINK BODY	1		(SUB LVA14231)
19	RE42504	HANDLE	1		
20	JD7798	LUBRICATION FITTING	1		
<b>KEY</b>	<b>PART NO.</b>	<b>PART NAME</b>	<b>QTY</b>	<b>SERIAL NO.</b>	<b>REMARKS</b>
21	99M7016	PLUG	2		
22	M120791	YOKE	1		
23	AM126169	LIFT LINK	1		(A) RH (NLA) (SUB LVA14231)
24	M120905	SPRING PIN	2		
25	M90337	STOP	4		
26	AM126167	DRAFT LINK	2		(A) (NLA) (SUB LVA14238 AND LVA14239)
27	A3581R	SPRING LOCKING PIN	2		
28	CE18326	LIFT LINK	1		(A) (NLA) (SUB LVA14235)
29	34M7030	SPRING PIN	1		5 X 20 MM
30	M120791	YOKE	1		
<b>KEY</b>	<b>PART NO.</b>	<b>PART NAME</b>	<b>QTY</b>	<b>SERIAL NO.</b>	<b>REMARKS</b>
31	T21901	BALL	1		
32	JD7798	LUBRICATION FITTING	1		
33	99M7016	PLUG	2		
34	DE19415	LIFT LINK	1		(A) LH (NLA) (SUB LVA14235)
35	LVU13387	PIN	2		
36	14M7328	LOCK NUT	2		M16
37		BUSHING	2		(NOT USED THIS APPLICATION)
38A		BOLT	2		(NOT USED THIS APPLICATION)
38B	M138943	BOLT	2		
39	M136096	PIN FASTENER	1		
<b>KEY</b>	<b>PART NO.</b>	<b>PART NAME</b>	<b>QTY</b>	<b>SERIAL NO.</b>	<b>REMARKS</b>
40	AM126932	STABILIZER	1		FEMALE
41	AM126866	STABILIZER	1		MALE
42	M84180	RING	1		
43	AM126163	STABILIZER FOOT	2		(NLA) (ORDER COMPONENTS)
44	M137645	PIN FASTENER	2		
45	M84180	RING	2		
46	AM119874	CENTER LINK	1		(A) (NLA) (SUB LVA14227 AND LVU17719)
47	LVA10606	DRAFT LINK	1		RH TELESCOPING

	LVA10607	DRAFT LINK	1		LH TELESCOPING
48	CE18443	PIN FASTENER	1		
<b>KEY</b>	<b>PART NO.</b>	<b>PART NAME</b>	<b>QTY</b>	<b>SERIAL NO.</b>	<b>REMARKS</b>
49	24M7028	WASHER	1		10.500 X 20 X 2 MM
50	11M7015	COTTER PIN	1		3.200 X 25 MM
51	CE18424	PIN FASTENER	1		
52	CE18422	CONTROL LEVER	1		
53	24M7053	WASHER	1		17 X 30 X 3 MM
54	11M7087	COTTER PIN	1		4 X 40 MM
55	CE18423	SPRING	1		
56	DE19076	DRAFT LINK	1		RH
	DE19077	DRAFT LINK	1		LH
57	DE19078	DRAFT LINK END	1		RH
<b>KEY</b>	<b>PART NO.</b>	<b>PART NAME</b>	<b>QTY</b>	<b>SERIAL NO.</b>	<b>REMARKS</b>
	DE19079	DRAFT LINK END	1		LH

(A) SEE NEXT PAGE