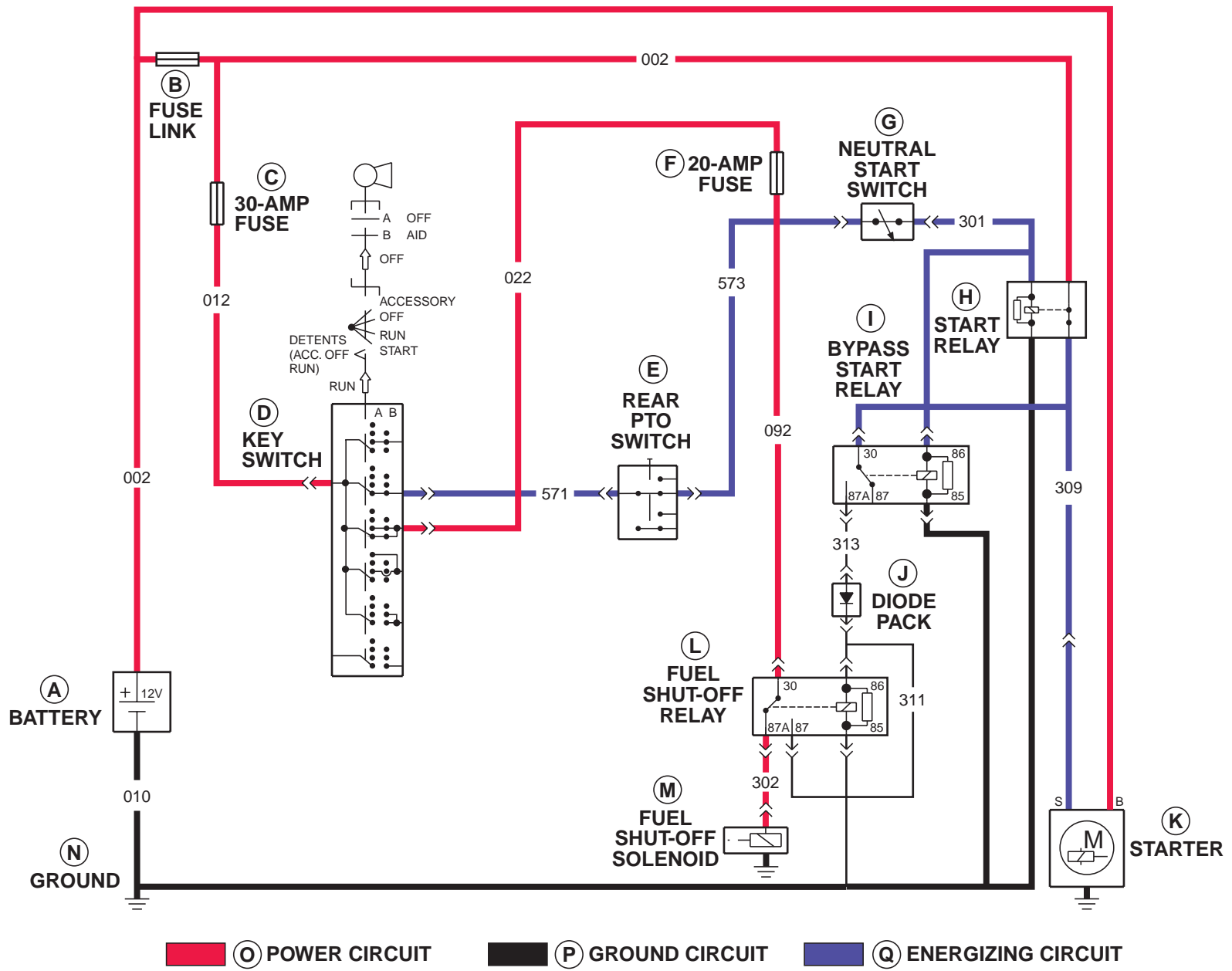


Starting System Operation—Normal

Theory of Operation



■ (C) POWER CIRCUIT    
 ■ (P) GROUND CIRCUIT    
 ■ (Q) ENERGIZING CIRCUIT

STARTING SYSTEM OPERATION — NORMAL

LVC4541

LVC4541 -19-06JAN00