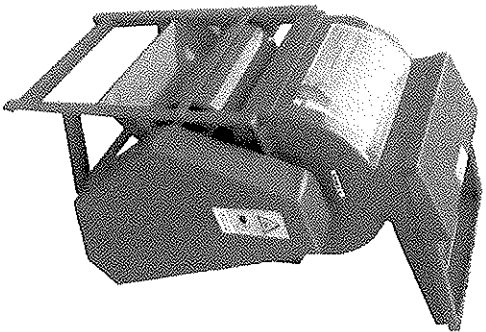




Corn Sheller Machine Type 5TY-27-III



Spec. technology parameter	Type 5ty-27III
Unit power productivity(kg/kw.h)	>2000
Nat threshing performance (%)	<1.0
Rate of decay (%)	<3
Drum speed(r/min)	1600
Mating power(kw)	2.8
External dimension(mm)	560*730*940
G.W(kg)	51
N.T(kg)	48

Detailed Information of Maize Sheller Machine:

This machine can be used with motor and diesel engine, whatever you want. It is mainly used for dry corn peeling, and the peeling rate is beyond 95%. It is easy to operate and highly productive. Two hole-inlets can be used at the same time. Any one of it can finish the job alone. The machine is with low vibration. It is light and easy to move.

Corn Sheller Maize Shelling Machine :

Usage: Corn sheller can separate the corn from the corn body without breaking the corn cob. The machine is compact designed and which can clearly separate the corn from the corn body, and throw the corn cob at the same time. The machine is high

Feature & Advantage :

1. The corn thresher can separate the corn kernels from the corn body without breaking.
2. The machine is compact designed. It can clearly separate the corn from the corn body and throw the corn at the same time.
3. The Machine has a high capacity and can be driven by electric motor or diesel engine
4. Save time.