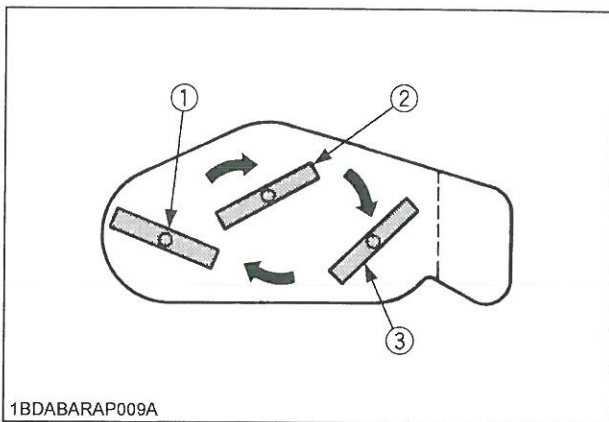


- (1) Spindle holder
- (2) Cover
- (3) Blade
- (4) Cup washer
- (5) Lock washer
- (6) Bolt

IMPORTANT :

- Tighten the bolts of the outer blades from 103 to 118 N-m (76 to 87 lbf-ft, 10.5 to 12.0 kgf-m) of torque.
- To prolong the service life of the blades, rearrange them as shown in the figure below periodically.



- (1) LH blade
- (2) Center blade
- (3) RH blade

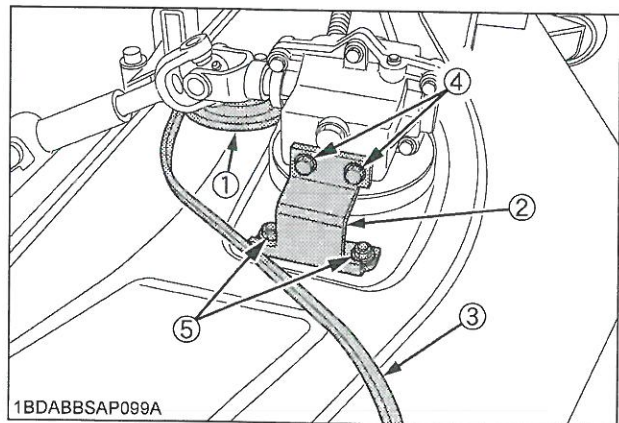
■ Mower Belt Replacement

1. Remove the mower deck from the machine according to the procedure "DISMOUNTING THE MOWER DECK".
2. Remove the left and right hand shield from the mower deck.
3. Clean around the gear box.
4. Remove the belt from the tension pulley.
5. Remove the right hand bracket which mounts the gear box to the mower deck and slip the belt over the top of the gear box.
6. To install a new belt, reverse the above procedure.

NOTE :

Tighten each bolt with following torque.

- Bolts (4) (For aluminum gear case)
39.2 to 44.1 N-m (28.9 to 32.5 lbf-ft, 4.0 to 4.5 kgf-m)
- Bolts and Nuts (5)
48.1 to 55.9 N-m (35.5 to 41.2 lbf-ft, 4.9 to 5.7 kgf-m)



- (1) Tension pulley
- (2) Bracket (RH)
- (3) Belt
- (4) Bolt
- (5) Bolt and Nut

■ Bleeding Fuel System

[GR2120, GR2120AU]

Air must be removed:

1. When the fuel filter or lines are removed.
2. When tank is completely empty.
3. After the machine has not been used for a long period of time.

◆ **Bleeding procedure is as follows:**

1. Fill the fuel tank with fuel.
2. Turn the key switch to the "ON" position and hold it for about 10 seconds.
3. Start the engine and run for about 30 seconds, and then stop the engine.