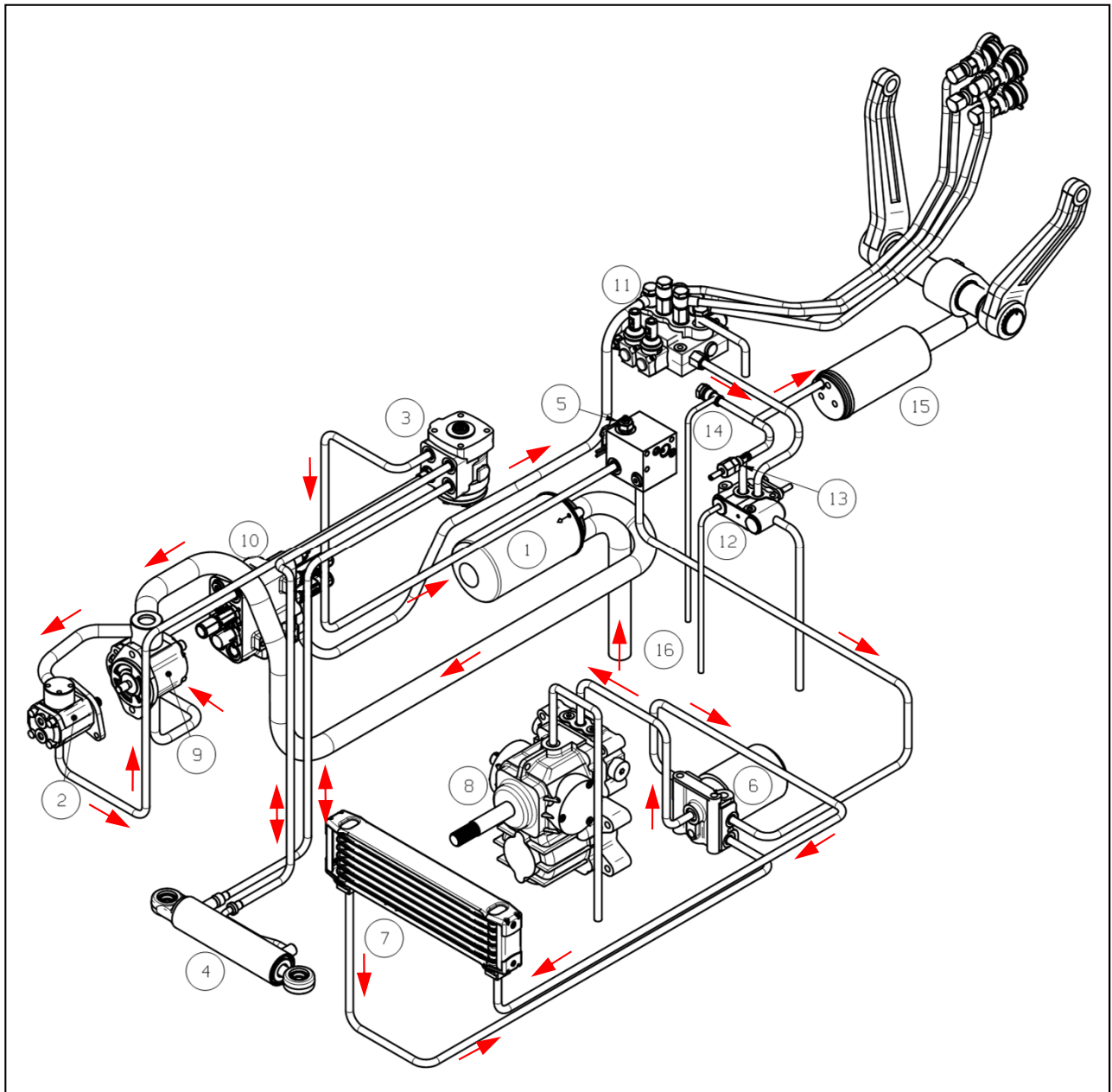


HST



1. Hydraulic filter

2. Steering pump

3. Steering unit

4. Steering cylinder

5. Independent PTO valve

6. HST filter

7. Oil cooler

8. HST unit

9. Hydraulic lift pump

10. Front outlet valve or
Front loader valve (optional)

11. Remote control valve
(optional)

12. Hydraulic lift control valve

13. Down speed control valve

14. Safety valve

15. Hydraulic lift cylinder

16. Oil tank