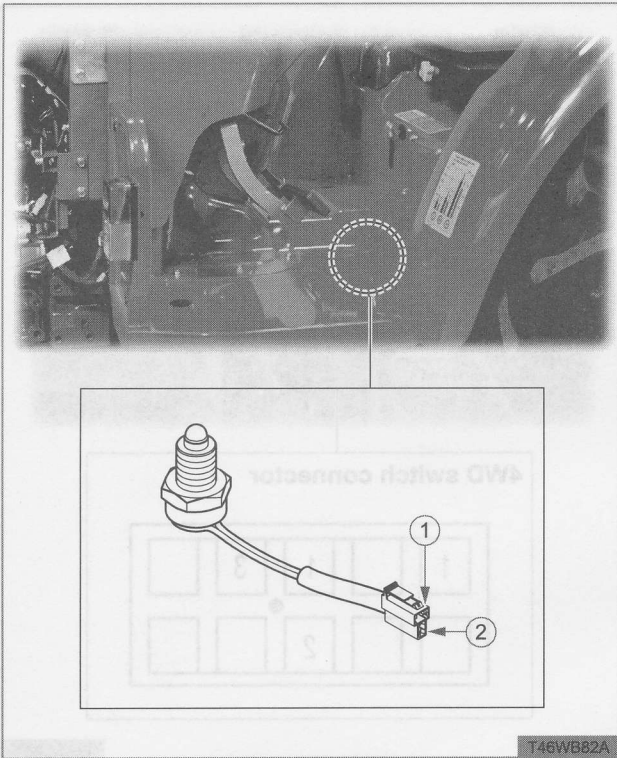


2.19 NEUTRAL SWITCH (MECHANICAL)

Function



The neutral switch is located on the lower part of the shuttle lever.

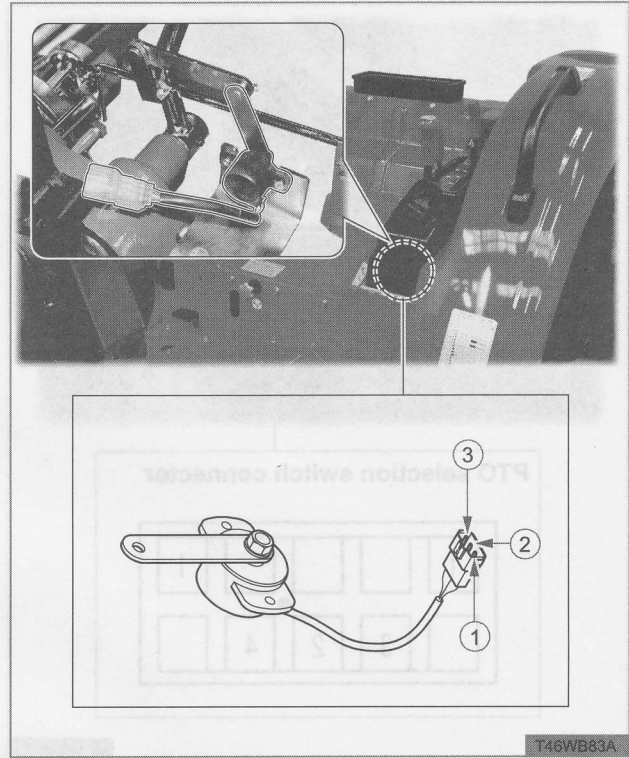
This switch is a normally closed type and detects the neutral position of the shuttle lever.

| Range      | Tester's measuring point |                 | Result | Remarks       |
|------------|--------------------------|-----------------|--------|---------------|
|            | Red lead                 | Black lead      |        |               |
| Resistance | No. 1 connector          | No. 2 connector | OFF    | No continuity |
|            | No. 1 connector          | No. 2 connector | ON     | Continuity    |

※ When measuring the resistance with a tester, it is OK to switch over the leads (red and black).

2.20 RANGE SHIFT SENSOR (HST)

Function



The range shift sensor is installed in the lower part of the range shift lever.

The range shift sensor detects the position of the range shift lever (N, H, M, L) and sends a signal to the instrument panel.

| Range      | Measuring points |                 | Result                | Remarks  |
|------------|------------------|-----------------|-----------------------|--|
|            | Test lead (+)    | Test lead (-)   |                       |  |
| Resistance | No.1 3P housing  | No.3 3P housing | 2kΩ (fixed)           | Unit check   |
|            | No.1 3P housing  | No.2 3P housing | 0 ~ 2kΩ (converted)   |  |
| DC voltage | No.3 3P housing  | No.1 3P housing | DC5V (fixed)          | Check when the wiring is installed after turning the key switch to ON position |
|            | No.2 3P housing  | No.1 3P housing | DC 0 ~ 5V (converted) |  |