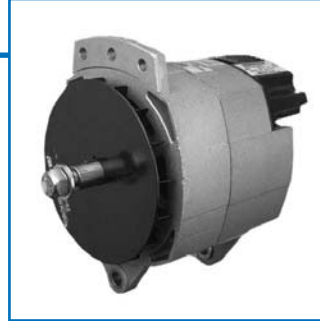


Construction and Agricultural Alternators 8HC, 8MR, 8TA and 8SC Series

Features

- Longer life graphite brushes extend service life
- Dynamically balanced rotor and shaft assembly
- Permanently lubricated and sealed ball bearings
- Heavy duty copper stator windings for higher output and cooler operation
- Some 8MR units are corrosion protected and/or UL approved
- 8TA units have a totally enclosed housing design for extremely adverse environments
- 8SC units are ideal for heavy belt loads and extremely high electrical loads on large diesel engines



8HC/8MR/8TA Features

- 5" Frame
- 1" and 2" Spool Mount
- 8HC 12 Volt 51-72 Amp, 24 Volt 35-40 Amp
- 8MR 12 Volt 37-105 Amp, 24 Volt 35-55 Amp
- 8TA 12 Volt 30-45 Amp, 24 Volt 16 Amp
- Sealed bearings for dust protection
- Ignition and self excite available

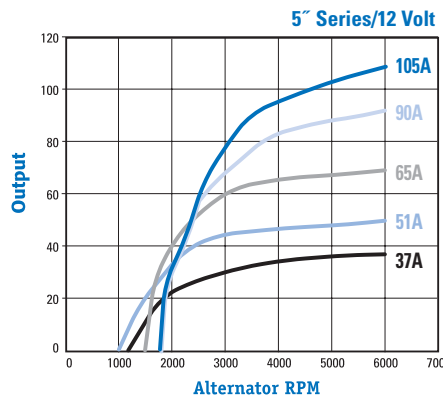
8SC Features

- 6.5" Frame
- 4" Dual Foot Mount
- 12 Volt 160-185 Amp
- 24 Volt 100-175 Amp
- 12 Diode rectifier system
- Use of Avalanche diodes in some models
- 12 volt units have trash screen for protection against foreign particles

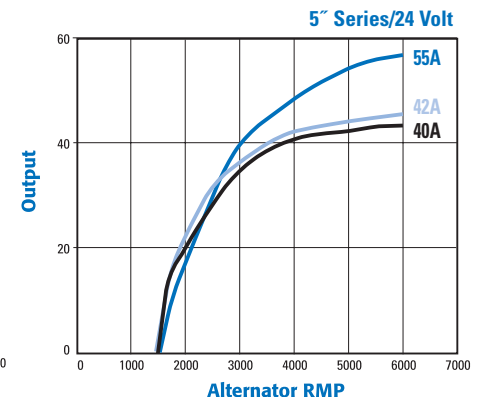
Service

Prestolite/Leece-Neville has WorldWide parts and service representation, a necessary part of the decision when selecting products for Agricultural and Construction applications.

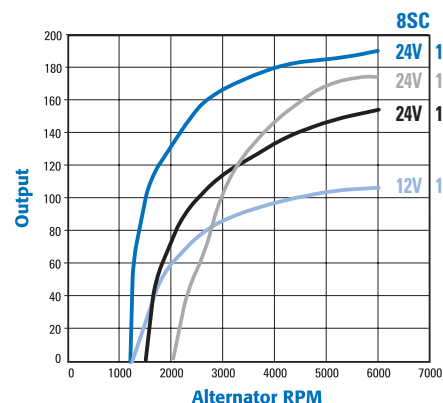
Product Performance



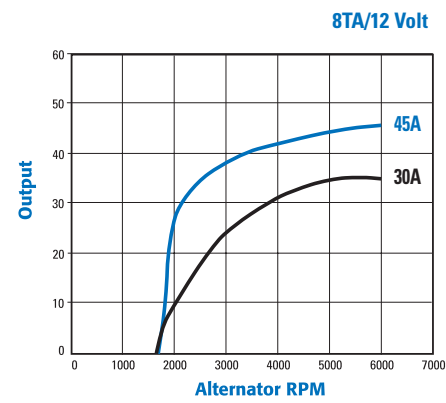
Maximum Continuous Speed - 8000 rpm
Stabilized Output @ 24°C



Maximum Continuous Speed - 8000 rpm
Stabilized Output @ 24°C



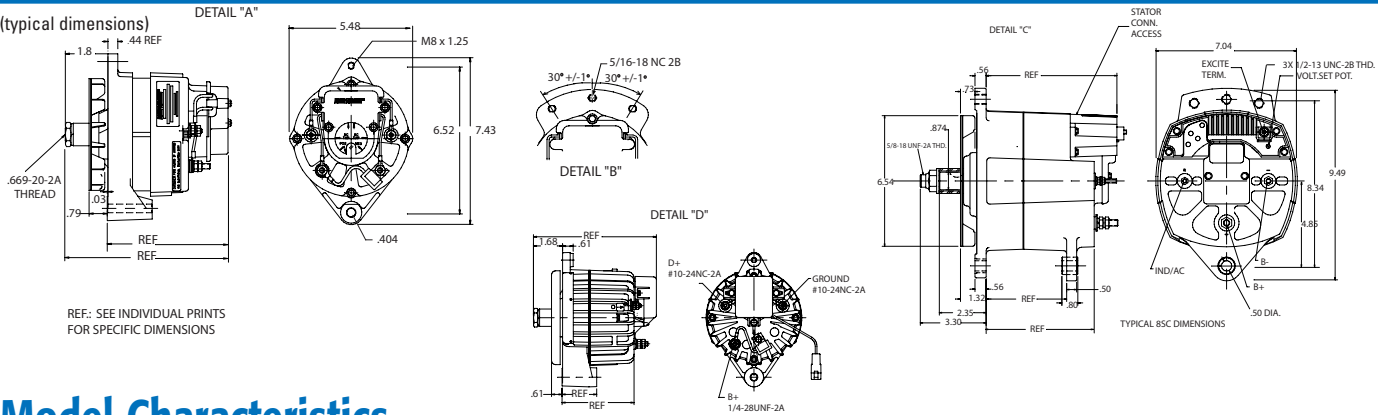
Maximum Continuous Speed - 8000 rpm
Stabilized Output @ 24°C



Maximum Continuous Speed - 8000 rpm
Stabilized Output @ 24°C

Dimensions

(typical dimensions)



Model Characteristics

| ALTERNATOR | | | | | | REGULATOR | | | | | | | | | | REGULATOR FEATURES | | Adjusting Ear Hole/Thread | NOTES |
|------------|------------|--------|-------------|-----|------|-------------|-------------|--------|--------------|----|-----------|------------|----------|---------------|----------------|--------------------|-----------|---------------------------|-------|
| Salas No. | Model No. | Series | Output Volt | Amp | Gnd | Replace No. | Excite Type | AC Tap | Remote Sense | D+ | UL Listed | Shaft Dia. | Rotation | Mounting Size | Foot Hole Dia. | Detail | | | |
| 110-473 | *8TA2028E | 8TA | 12 | 30 | CASE | 105-219 | IGN | N | N | Y | N | 0.627 | BI-DIR | 2.0" | .375" | D | 5/16-18NC | | |
| 110-232 | *8TA2028ES | 8TA | 12 | 30 | CASE | N/A | REM | N | N | N | N | 0.627 | BI-DIR | 2.0" | .375" | D | 5/16-18NC | | |
| 110-414 | *8TA2029E | 8TA | 12 | 30 | CASE | 105-281 | IGN | N | N | N | N | 0.627 | BI-DIR | 1.0" | .505" | D | 5/16-18NC | | |
| 110-551 | *8TA2032E | 8TA | 12 | 30 | CASE | 105-334 | IGN | N | N | Y | N | 0.627 | BI-DIR | 2.0" | .375" | D | 5/16-18NC | | |
| 110-532 | 8MR2050FA | 5" | 12 | 37 | NEG | 105-327 | IGN | Y | N | Y | Y | 0.625 | BI-DIR | 1.0" | .505" | B | 5/16-18NC | | |
| 110-556 | 8MR2051FAS | 5" | 12 | 37 | NEG | 105-327 | IGN | Y | N | Y | Y | 0.625 | BI-DIR | 2.0" | .375" | A | 5/16-18NC | | |
| 110-699 | 8MR2175F | 5" | 12 | 37 | CASE | 105-335 | IGN | Y | Y | Y | Y | 0.625 | CW | 1.0" | .505" | B | 5/16-18NC | | |
| 110-458 | *8TA2030G | 8TA | 12 | 45 | CASE | 105-302 | IGN | N | N | N | N | 0.627 | BI-DIR | 2.0" | .375" | D | 5/16-18NC | | |
| 110-475 | *8TA2031G | 8TA | 12 | 45 | CASE | 105-305 | SELF | Y | N | N | N | 0.627 | BI-DIR | 2.0" | 10.2MM | D | M8 X 1.25 | | |
| 110-552 | *8TA2034G | 8TA | 12 | 45 | CASE | 105-334 | IGN | N | N | Y | N | 0.627 | BI-DIR | 2.0" | .375" | D | 5/16-18NC | | |
| 110-512 | 8MR2048KA | 5" | 12 | 51 | CASE | 105-329 | IGN | Y | N | Y | Y | 0.625 | BI-DIR | 1.0" | .505" | B | 5/16-18NC | | |
| 110-517 | 8MR2049KA | 5" | 12 | 51 | NEG | 105-327 | IGN | Y | N | Y | Y | 0.625 | BI-DIR | 2.0" | .375" | A | 5/16-18NC | | |
| 110-494 | 8MR2084K | 5" | 12 | 51 | NEG | 105-306 | IGN | Y | N | Y | Y | 0.625 | BI-DIR | 2.0" | .375" | A | 5/16-18NC | | |
| 110-488 | 8MR2085K | 5" | 12 | 51 | NEG | 105-306 | IGN | Y | N | Y | Y | 0.625 | BI-DIR | 2.0" | .375" | A | 5/16-18NC | | |
| 110-686 | 8MR2091KSS | 5" | 12 | 51 | NEG | 105-323 | IGN | Y | Y | Y | Y | 0.625 | CW | 2.0" | .375" | A | 5/16-18NC | | |
| 110-656 | 8MR2199KS | 5" | 12 | 51 | NEG | 105-306 | IGN | Y | N | Y | Y | 0.625 | BI-DIR | 1.0" | .505" | B | 5/16-18NC | | |
| 110-487 | 8MR2013L | 5" | 12 | 65 | NEG | 105-306 | IGN | Y | N | Y | Y | 0.625 | BI-DIR | 1.0" | .505" | B | 5/16-18NC | | |
| 110-491 | 8MR2086L | 5" | 12 | 65 | INS | 105-306 | IGN | Y | N | Y | Y | 0.625 | BI-DIR | 2.0" | .375" | A | 5/16-18NC | | |
| 110-483 | 8MR2092L | 5" | 12 | 65 | INS | 105-323 | IGN | Y | Y | Y | Y | 0.625 | CW | 2.0" | .375" | A | 5/16-18NC | | |
| 110-484 | 8MR2093L | 5" | 12 | 65 | INS | 105-323 | IGN | Y | Y | Y | Y | 0.625 | CW | 2.0" | .375" | A | 5/16-18NC | | |
| 110-600 | 8MR2185L | 5" | 12 | 65 | CASE | 105-335 | IGN | Y | Y | Y | Y | 0.625 | CW | 1.0" | .505" | B | 5/16-18NC | | |
| 110-679 | 8MR2198LS | 5" | 12 | 65 | NEG | 105-303 | IGN | Y | N | Y | Y | 0.625 | BI-DIR | 1.0" | .505" | B | 5/16-18NC | | |
| 110-521 | 8MR2058PA | 5" | 12 | 72 | NEG | 105-327 | IGN | Y | N | Y | Y | 0.625 | BI-DIR | 2.0" | .375" | A | 5/16-18NC | | |
| 110-602 | 8MR2069TA | 5" | 12 | 90 | INS | 105-280 | SELF | Y | N | N | Y | 17MM | BI-DIR | 2.0" | .404" | A | M8 X 1.25 | | |
| 110-603 | 8MR2070TA | 5" | 12 | 90 | INS | 105-280 | SELF | Y | N | N | Y | 0.625 | BI-DIR | 1.0" | .505" | B | 5/16-18NC | | |
| 110-567 | 8MR2401UA | 5" | 12 | 105 | INS | 105-280 | SELF | Y | N | N | Y | 0.625 | BI-DIR | 1.0" | .505" | B | 5/16-18NC | | |
| 110-563 | *8SC2020Z | 8SC | 12 | 185 | INS | 105-390 | SELF | Y | N | N | N | 0.874 | BI-DIR | .56" | .505" | C | 1/2-13UNC | | |
| 110-565 | *8SC2023Z | 8SC | 12 | 185 | INS | 105-368 | SELF | Y | N | Y | N | 0.874 | BI-DIR | .56" | .505" | C | 1/2-13UNC | | |
| 110-684 | 8MR3404G | 5" | 24 | 40 | NEG | 105-311 | IGN | Y | N | Y | Y | 0.625 | BI-DIR | 1.0" | .505" | B | 5/16-18NC | | |
| 110-392 | *8HC3026G | 5" | 24 | 42 | NEG | 105-273 | IGN | N | Y | Y | Y | 0.625 | BI-DIR | 2.0" | .375" | A | 5/16-18NC | | |
| 110-557 | 8MR3188K | 5" | 24 | 55 | INS | 105-318 | SELF | Y | N | N | Y | 17MM | CW | 1.0" | .505" | B | 5/16-18NC | | |
| 110-557 | *8TA3025CS | 8TA | 24 | 60 | CASE | ** | IGN | N | N | N | N | 0.627 | BI-DIR | 2.0" | 0.375 | D | 5/16-18NC | | |
| 110-298 | *8SC3014U | 8SC | 24 | 100 | INS | 105-396 | IGN | N | N | Y | N | 0.874 | BI-DIR | .56" | .505" | C | .52" | | |
| 110-302 | *8SC3015U | 8SC | 24 | 100 | INS | 105-396 | IGN | N | N | Y | N | 0.874 | BI-DIR | .56" | .505" | C | 1/2-13UNC | | |
| 110-316 | *8SC3019U | 8SC | 24 | 100 | INS | 105-396 | IGN | N | N | Y | N | 0.874 | BI-DIR | .56" | .505" | C | 1/2-13UNC | | |
| 110-575 | *8SC3017VA | 8SC | 24 | 150 | INS | 105-389 | IGN | Y | Y | N | N | 0.874 | BI-DIR | .56" | .505" | C | 1/2-13UNC | | |
| 110-576 | *8SC3018VA | 8SC | 24 | 150 | INS | 105-383 | REM | Y | Y | N | N | 0.874 | BI-DIR | .56" | .505" | C | 1/2-13UNC | | |
| 110-431 | *8SC3068V | 8SC | 24 | 150 | INS | 105-396 | IGN | N | N | Y | N | 0.874 | BI-DIR | .56" | .505" | C | 1/2-13UNC | | |
| 110-568 | *8SC3110V | 8SC | 24 | 150 | INS | 105-389 | IGN | Y | Y | N | N | 0.874 | BI-DIR | .56" | .505" | C | 1/2-13UNC | | |
| 110-258 | *8SC3009ZA | 8SC | 24 | 175 | INS | 105-396 | IGN | N | N | Y | N | 0.874 | BI-DIR | .56" | .505" | C | 1/2-13UNC | | |
| 110-569 | *8SC3029Z | 8SC | 24 | 175 | INS | 105-396 | IGN | N | N | Y | N | 0.874 | BI-DIR | .56" | .505" | C | 1/2-13UNC | | |

* Not Corrosion Protected

** Regulator not included - purchase regulator #105-164

MANUFACTURING & OE SALES
LEECE-NEVILLE HEAVY DUTY SYSTEMS

400 Main Street
Arcade, NY 14009
(585) 492-1700
Fax: (585) 492-1660

QS9000 Certified
www.prestolite.com

AFTERMARKET SALES LEECE-NEVILLE

7585 Empire Drive
Florence, KY 41042
(800) 354-0560
(859) 525-8801
Fax: (800) 997-6202